

STNF | Installation Diagram

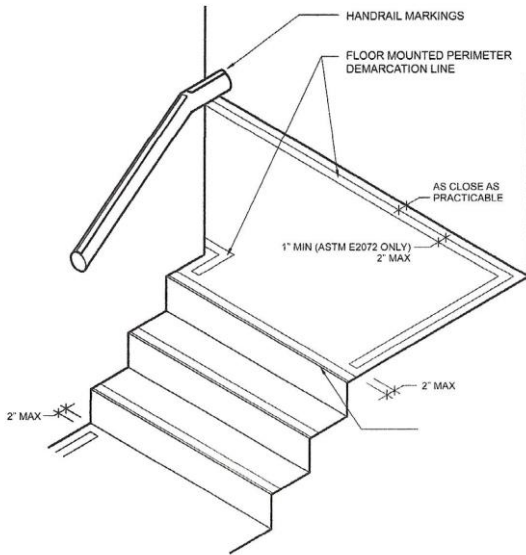


FIGURE S101.1(5)
FLOOR-MOUNTING OPTION FOR PHOTOLUMINESCENT PERIMETER DEMARCATION LINES

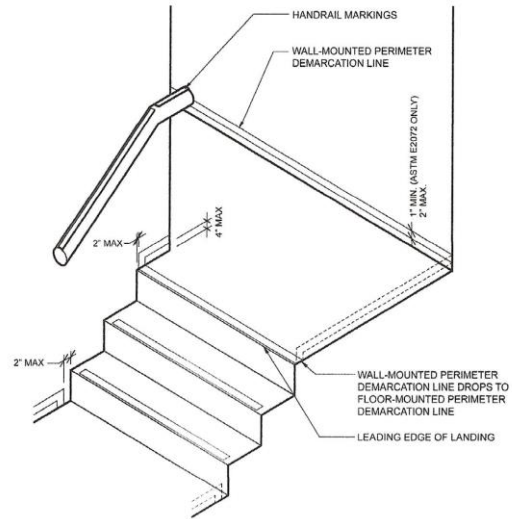


FIGURE S101.1(7)
WALL-MOUNTING OPTION FOR PHOTOLUMINESCENT PERIMETER DEMARCATION LINES

If you have further questions, please contact us:

Call: 1-855-723-6673 Email: sales@safetnose.com