

STNP | Pour-In-Place Installation

For use on steel pan stairs with $\frac{3}{4}$ " steel pan lip (14ga. to 11ga. steel).

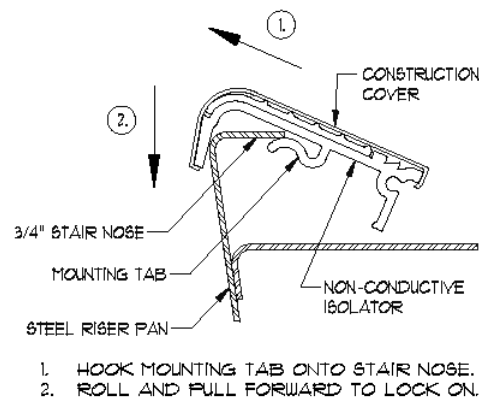
Plastic isolator is designed to clip onto the front lip of the riser of steel pan just before the concrete is poured. This clip-on application holds the nosing in place prior to concrete pour only. Do not walk on or disturb the nosing prior to concrete pour. Isolator adds contrasting color to top and front of tread.

For compliant placement of egress path markings, consult your applicable local or national codes (2009, 2012 IBC section 1024 + 2015 IBC section 1025).

Installation Steps:

1. Verify the conditions:
 - Use dry cloth and non-residue cleaning compound to remove dirt and grime.
 - Verify the front lip of the riser surface is clean, dry, flat, and smooth.
 - Verify the front lip of the riser is no greater than $\frac{3}{4}$ " in length.
2. Clip in place the nosing isolator onto the front lip of the riser. See Figure for clip-on method.
 - Verify the nosing assembly is level and secure.
 - Verify the nosing construction cover is secure.
3. Fill pan with concrete.

- Concrete to be flush with top of construction cover.
 - Trowel joint at back of construction cover.
4. Remove the construction cover after concrete is fully dry and all painting and cleanup is complete.



Installation Inspection:

Check regularly for loose nosing's or damaged components. Replace damaged components. Repair delaminated Photo-Glo component as required.

PhotoGlo Charge Instruction:

Minimum of 1 foot candle (11 Lux) of fluorescent, incandescent or LED (light emitting diode) for 60 Minutes is required to charge Photo-Glo.

Control of lighting restricted to authorized personnel. Reliable external illumination is required at all times during building occupancy.

Do not use Photo-Glo where the ambient illumination level is less than 1 foot candle (11 Lux).

Questions? Call 1-855-723-6673